

PUSH TO OPERATE WIRELESS BUTTON

PN-030215 B (B for black housing)
 PN-030215 W (W for White housing)

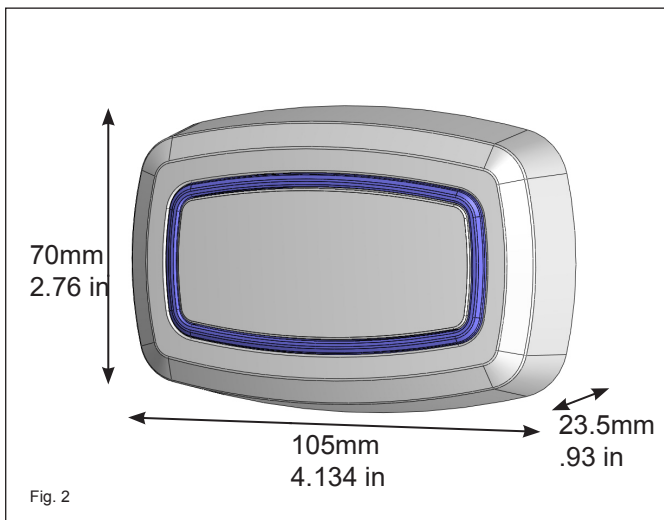
Use and Installation manual

1 Introduction



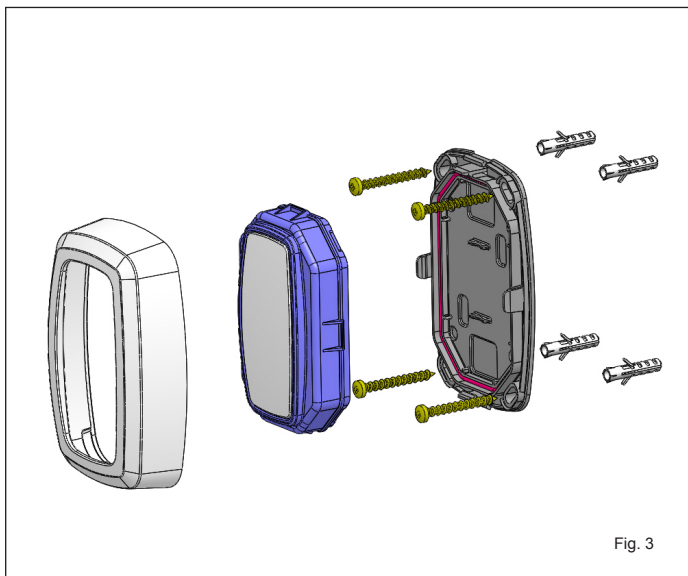
The push-to-operate wireless button operates at 433.92 MHz in AM/ASK modulation. It's mainly composed by a capacitive touch sensitive circuit and by a radio trans-mitter. It can be used to operate gates, doors or garage doors or any device with the corresponding compatible 433 MHz receiver. The security protocol is fixed with 19683 code combinations. A special sensor lights the led frame when the hand approaches the device at about 10 cm and triggers the radio transmission when it touches the front surface. The enclosure allows outdoor installations (IP55). Each product is already factory programmed with a different security code. The transmitter is supplied with a ER14505 lithium battery for ~2 years of life.

2 Technical Specifications

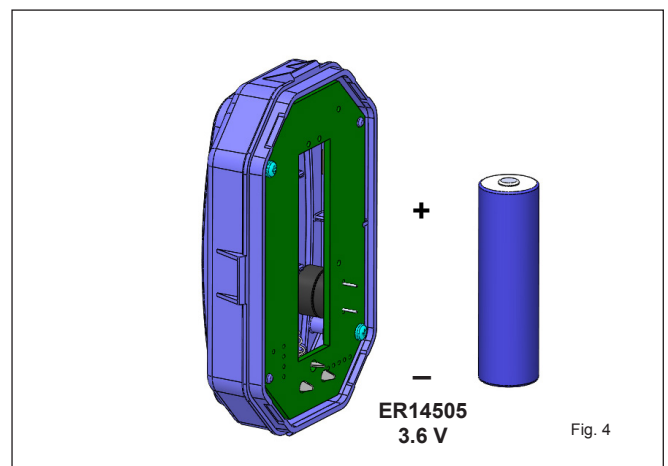


Carrier frequency.....	433.92 MHz
Modulation.....	AM/ASK
N° channels.....	1
E.r.p.....	300 uW
Battery type.....	ER14505 Lithium
Operating voltage.....	3.6 Vdc
Current consumption.....	2 µA : stand-by
	60 mA : transmission
Battery life:.....	~2 years
Security protocol.....	fixed code
Code combinations.....	3exp9
Typical range in open space.....	~200m / ~656 feet
Operating temperature.....	-20°/+80°C
Enclosure IP grade.....	IP55
Dimensions (mm).....	105 x 70 x 23.5
Dimensions (in).....	4.134 x 2.76 x .935
Weight (gr. / oz).....	100 / 3.53

3 Mounting

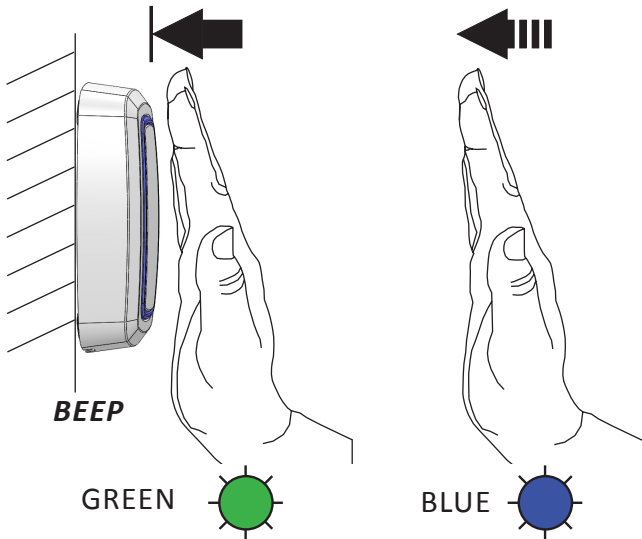


4 Battery replacement



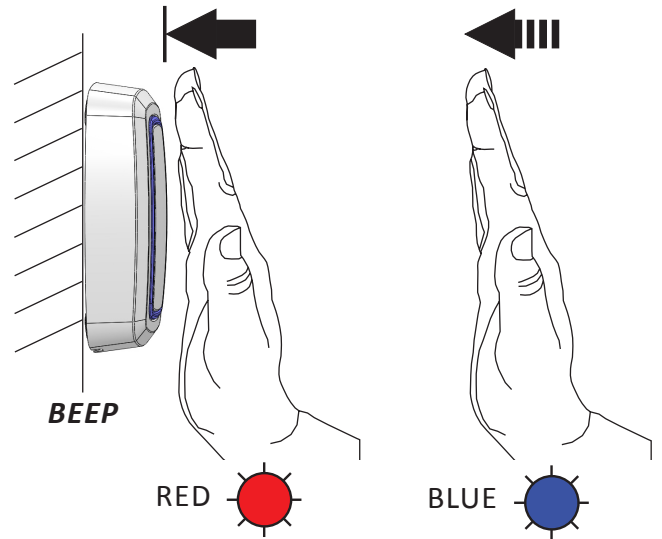
⚠ Replace the battery with ER14505 or equivalent respecting the polarity as shown above
NOTE: Please dispose of the batteries correctly, they are hazardous waste.

5 Operate



The Button operates when you skim over the external surface with the hand. The sensitivity of the detector can change according to the mounting surface type: metallic surfaces increase the sensitivity but can reduce the range of the radio transmission. Approach the cover or touch it until the buzzer sounds. The RF transmission lasts while the buzzer sounds. Normally it's necessary to skim over the cover with the hand and not with a single finger.

6 Battery Low



The light of the touch transmitter becomes BLUE when the hand approaches at about 10 cm / 3.9 inches and becomes GREEN when the hand touches the surface. The RF transmission starts at the "Beep" of the buzzer.

If battery is low the GREEN color becomes RED.

7 Programming

Press the receiver P1 button and hold until green LD light comes ON. While LD light is ON place hand on the Push To Operate when the buzzer sounds programming is complete. The receiver LD light must be ON when placing hand on the Push to Operate.

8 Battery replacement

This device uses a lithium battery type ER14505. Insert the new battery in the battery location, respecting the right polarity. The removal and the disposal of the battery must have effected before the elimination of the appliance and according to the current Regulations.

ATTENTION: - Danger of explosion if the battery is not replaced in the correct way! Replace only with an equal or equivalent type.

9 FCC

FCC ID = PWJTTH

This device complies with Part 15 of the FCC Rules provided it is assembled in exact accordance with the instructions provided with this kit. Operation is subject to the following conditions:

- (1) this device may not cause harmful interference, and
- (2) this device must accept any interference received including interference that may cause undesired operation.

10 Notice

Any changes or modifications on equipment not expressly approved by the manufacturer could void the user's authority to operate with the equipment.

11 Warranty

USAutomatic, LLC warrants this product to be free of defects in materials and workmanship for 1 YEAR. For a period of 1 YEAR following purchase USAutomatic, LLC. will repair or replace the product free of charge, including parts, shop labor and return to customer shipping and handling. This 1 YEAR warranty does not cover the plastic case from normal wear or damage due to misuse of the Push To Operate module. To have the product sent for warranty consideration, contact the dealer or distributor the product was purchased from to obtain the return authorization number. The return authorization number must be clearly marked on the outside of the return package or it may not be accepted.



USAutomatic, LLC
1-888-204-0174
www.usautomatic.com



IS-TTHUAEN rev.0 on 16/2/2018